

A GAUSS-KUSMIN THEOREM FOR OPTIMAL CONTINUED FRACTIONS

KARMA DAJANI AND COR KRAAIKAMP

ABSTRACT. A Gauss-Kusmin theorem for the Optimal Continued Fraction (OCF) expansion is obtained. In order to do so, first a Gauss-Kusmin theorem is derived for the natural extension of the ergodic system underlying Hurwitz's Singular Continued Fraction (SCF) (and similarly for the continued fraction to the nearer integer (NICF)). Since the NICF, SCF and OCF are all examples of maximal S -expansions, it follows from a result of Kraaikamp that the SCF and OCF are metrically isomorphic. This isomorphism is then used to carry over the results for the SCF to any other maximal S -expansion, in particular to the OCF. Along the way, a Heilbronn-theorem is obtained for any maximal S -expansion.

1. INTRODUCTION

One of the first – and still one of the most important – results in the metrical theory of continued fractions is the so-called Gauss-Kusmin theorem. Let $\xi \in [0, 1)$, and let

$$(1) \quad \xi = \frac{1}{d_1 + \frac{1}{d_2 + \frac{1}{\ddots + \frac{1}{d_n + \ddots}}}} = [0; d_1, d_2, \dots, d_n, \dots]$$

be the *regular continued fraction* (RCF) expansion of ξ ; then it was observed by Gauss [G] in 1800 that for $z \in [0, 1]$

$$(2) \quad \lim_{n \rightarrow \infty} \lambda(\{\xi \in [0, 1); T^n \xi \leq z\}) = \frac{\log(1+z)}{\log 2}.$$

Here λ is the Lebesgue measure and the RCF-operator $T : [0, 1) \rightarrow [0, 1)$ is defined by

$$T\xi := \frac{1}{\xi} - \left\lfloor \frac{1}{\xi} \right\rfloor, \quad \xi \neq 0; \quad T0 := 0,$$

where $\lfloor \cdot \rfloor$ denotes the *floor*, or *entier*, function. It is not known how Gauss found (2), but later, in a letter dated January 30, 1812, Gauss asked Laplace to give an estimate of the error term $r_n(z)$, defined by

$$r_n(z) := \lambda(T^{-n}[0, z]) - \frac{\log(1+z)}{\log 2}, \quad n \geq 1.$$

Received by the editors December 12, 1996.
 1991 *Mathematics Subject Classification*. Primary 28D05, 11K50.

It was Kusmin [Kus] in 1928 who was the first to prove (2) and at the same time to answer Gauss’s question. Kusmin showed that

$$r_n(z) = \mathcal{O}(q^{\sqrt{n}}),$$

with $q \in (0, 1)$, uniform in z . Independently, Paul Lévy [L] showed one year later that

$$r_n(z) = \mathcal{O}(q^n),$$

with $q = 0.7\dots$, uniform in z . Lévy’s result, but with a better constant, was obtained by P. Szűsz [Sz] in 1961 using Kusmin’s approach. From that time on, a great number of such *Gauss-Kusmin theorems* followed. To mention a few: F. Schweiger (1968) [Sch1], [Sch2], P. Wirsing (1973) [Wir], K.I. Babenko (1978) [Ba], and more recently M. Iosifescu (1992) [Ios].

Gauss-Kusmin theorems for other continued fraction expansions were independently obtained by G.J. Rieger (1978) [Rie1] and A.M. Rockett (1980) [Roc]. Both Rieger and Rockett obtained a Gauss-Kusmin theorem for the *nearest integer continued fraction* (NICF). Rieger also obtained a Gauss-Kusmin theorem for the closely related *Hurwitz’s singular continued fraction* (SCF), and other continued fraction expansions like the *continued fraction with odd partial quotients*.

Both the NICF as well as the SCF are examples of α -*expansions*, which were introduced and studied by H. Nakada in [Na]. Let $\alpha \in [\frac{1}{2}, 1]$ be fixed; then the operator $T_\alpha : [\alpha - 1, \alpha) \rightarrow [\alpha - 1, \alpha)$ is defined by

$$(3) \quad T_\alpha \xi := \left\lfloor \frac{1}{\xi} \right\rfloor - \left\lfloor \frac{1}{\xi} \right\rfloor + 1 - \alpha, \quad \xi \neq 0; \quad T_\alpha 0 := 0.$$

Putting

$$\varepsilon_{\alpha,n}(\xi) := \text{sgn}(T_\alpha^{n-1}\xi); \quad a_{\alpha,n}(\xi) := \left\lfloor \frac{1}{T_\alpha^{n-1}\xi} \right\rfloor + 1 - \alpha, \quad n \geq 1,$$

in case $T_\alpha^{n-1}\xi \neq 0$, and $\varepsilon_{\alpha,n}(\xi) := 0; a_{\alpha,n}(\xi) := \infty$ in case $T_\alpha^{n-1}\xi = 0$, one easily sees that every irrational $\xi \in [\alpha - 1, \alpha)$ has a unique α -expansion

$$(4) \quad \xi = \frac{\varepsilon_{\alpha,1}}{a_{\alpha,1} + \frac{\varepsilon_{\alpha,2}}{a_{\alpha,2} + \frac{\varepsilon_{\alpha,3}}{a_{\alpha,3} + \dots + \frac{\varepsilon_{\alpha,n}}{a_{\alpha,n} + \dots}}}} = [0; \varepsilon_{\alpha,1}a_{\alpha,1}, \dots, \varepsilon_{\alpha,n}a_{\alpha,n}, \dots].$$

In case $\alpha = 1$, (4) is simply the RCF-expansion of ξ ; in case $\alpha = \frac{1}{2}$, (4) is the NICF-expansion of ξ and in case $\alpha = g := \frac{1}{2}(\sqrt{5} - 1) = 0.61\dots$ one has that (4) is Hurwitz’s SCF-expansion of ξ .

It should be noted that the methods of Rieger and Rockett can be easily adapted to obtain a Gauss-Kusmin theorem for any α -expansion, where $\alpha \in [\frac{1}{2}, 1]$.

Nakada’s α -expansions are examples of so-called *semi-regular continued fraction* (SRCF) expansions. In general an SRCF is a finite or infinite fraction

$$(5) \quad b_0 + \frac{\varepsilon_1}{b_1 + \frac{\varepsilon_2}{b_2 + \frac{\varepsilon_3}{b_3 + \dots + \frac{\varepsilon_n}{b_n + \dots}}}} = [b_0; \varepsilon_1 b_1, \varepsilon_2 b_2, \dots, \varepsilon_n b_n, \dots],$$

with $\varepsilon_n = \pm 1; b_0 \in \mathbf{Z}; b_n \in \mathbf{N}$, for $n \geq 1$, subject to the condition

$$\varepsilon_{n+1} + b_n \geq 1, \quad \text{for } n \geq 1,$$

and with the restriction that in the infinite case

$$\varepsilon_{n+1} + b_n \geq 2, \text{ infinitely often.}$$

Moreover we demand that $\varepsilon_n + b_n \geq 1$ for $n \geq 1$.

Remark. In case $\alpha = \frac{1}{2}$ one has that

$$(6) \quad b_n \geq 2 \text{ and } b_n + \varepsilon_{n+1} \geq 2, n \geq 1,$$

and conversely, if (5) is an SRCF-expansion of ξ which satisfies (6), then (5) is the NICF-expansion of ξ . In the same way the SCF-expansion of ξ is characterized by

$$(7) \quad b_n \geq 2 \text{ and } b_n + \varepsilon_n \geq 2, n \geq 1;$$

see also Section 3 or Perron’s classical book [Pe].

Taking finite truncations in (5) yields a finite or infinite sequence of rational numbers $A_n/B_n, n \geq 1$, where

$$\frac{A_n}{B_n} = b_0 + \frac{\varepsilon_1}{b_1 + \frac{\varepsilon_2}{b_2 + \dots + \frac{\varepsilon_n}{b_n}}} = [b_0; \varepsilon_1 b_1, \varepsilon_2 b_2, \dots, \varepsilon_n b_n].$$

An SRCF-expansion (5) is an SRCF-expansion of ξ if

$$\lim_{n \rightarrow \infty} \frac{A_n}{B_n} = \xi.$$

A *fastest* expansion of ξ is an expansion for which the growth rate of the denominators B_n is maximal; it turns out that this means that these denominators grow asymptotically as fast as the denominators of the NICF (or SCF) convergents of that ξ (see e.g. [Bos] or [K1]). *Closest* expansions are those for which $\sup\{\theta_k : \theta_k := B_k|B_k\xi - A_k|\}$ is minimal. Since in general the NICF does not provide closest expansions, and closest expansions (like Minkowski’s *diagonal continued fraction* (DCF)) do not provide fastest expansions, a natural question arises whether there exists an SRCF which is both fastest and closest. In [Ke] it was shown that such an algorithm does exist, and Selenius [Se] showed how such an SRCF of ξ can be obtained, given the RCF of ξ . In 1987, W. Bosma introduced a new continued fraction expansion which yields for every $\xi \in \mathbf{R}$ an SRCF-expansion of ξ which is both fastest and closest, without using the RCF-expansion of ξ . This new continued fraction algorithm, the so-called *optimal continued fraction* (OCF) expansion, turned out to have approximation properties superior to any other SRCF-expansion (see also [BK1], [BK2]).

The OCF-expansion of an irrational number $\xi \in [-\frac{1}{2}, \frac{1}{2})$ is defined recursively as follows. Put

$$\begin{aligned} r_{-1} &= 1; & r_0 &= 0; \\ s_{-1} &= 0; & s_0 &= 1; \\ t_0 &= \xi; & \varepsilon_1 &= \text{sgn}(t_0) \end{aligned}$$

and let for $k \geq 1$

$$\begin{aligned} b_k &= \lfloor |t_{k-1}^{-1}| \rfloor, \\ v_k &= b_k s_{k-1} + \varepsilon_k s_{k-2} \quad \text{and} \quad u_k = b_k r_{k-1} + \varepsilon_k r_{k-2}, \\ \alpha_k &= \frac{v_k + s_{k-1}}{2v_k + s_{k-1}}. \end{aligned}$$

The partial quotients $a_k = a_k(\xi)$ are given by

$$a_k = \lfloor |t_{k-1}^{-1}| + 1 - \alpha_k \rfloor,$$

and the convergents r_k/s_k by

$$r_k = a_k r_{k-1} + \varepsilon_k r_{k-2} \text{ and } s_k = a_k s_{k-1} + \varepsilon_k s_{k-2}.$$

Next put

$$t_k = |t_{k-1}^{-1}| - a_k \text{ and } \varepsilon_{k+1} = \text{sgn}(t_k).$$

For arbitrary (irrational) numbers ξ we define $\text{OCF}(\xi) = [a_0; \varepsilon_1 a_1, \varepsilon_2 a_2, \dots]$, where $a_0 \in \mathbf{Z}$ is such that $\xi - a_0 \in [-\frac{1}{2}, \frac{1}{2})$ and $[0; \varepsilon_1 a_1, \varepsilon_2 a_2, \dots]$ is the OCF-expansion of $\xi - a_0$.

Notice that the OCF behaves like an α -expansion, where at every stage of the algorithm the value of α (which is α_k) is adjusted. For more details on this, see [Bos], Section 4. An equivalent way of generating OCF-expansions – or any of the above mentioned continued fraction algorithms – is via the mechanism of S -expansions, which is discussed in some detail in Section 3. This approach enables us to use ergodic theory in order to analyse the dynamical, metrical and number theoretical properties of these expansions.

In contrast with most continued fraction algorithms the OCF-algorithm is “two-dimensional” (there are some exceptions, e.g. the aforementioned diagonal continued fraction (DCF), see [K1]); In order to apply the OCF-algorithm “one needs to know where one has been”. It is exactly this aspect of the OCF which makes it very difficult – if not impossible – to obtain a Gauss-Kusmin theorem for the OCF in the same vein as those obtained for the NICF, SCF or for the RCF (it should be noticed that the approach from [Wir] and [Ba] cannot be used for the NICF or the SCF, see also [Rie1], p. 444).

The aim of this paper is to obtain a Gauss-Kusmin theorem for the OCF. To be more precise, we will show – among many other things – that for $z \in [-\frac{1}{2}, g]$

$$(*) \quad \lambda\{\xi \in [-\frac{1}{2}, \frac{1}{2}) : T_{\text{ocf}}^n \xi \leq z\} = \mu_{\text{ocf}}([-\frac{1}{2}, z]) + \mathcal{O}(g^n),$$

where μ_{ocf} is a probability measure on $[-\frac{1}{2}, g)$ with density $d_{\text{ocf}}(x)$, given by

$$(8) \quad d_{\text{ocf}}(x) = \begin{cases} \frac{1}{\log G} \frac{2x+1}{2x^2+2x+1} & \text{if } -\frac{1}{2} \leq x < -g^2, \\ \frac{1}{\log G} \frac{x+1}{x^2+2x+2} & \text{if } -g^2 \leq x < \frac{1}{2}, \\ \frac{3}{\log G} \frac{1-x-x^2}{(x^2+2x+2)(2x^2-2x+1)} & \text{if } \frac{1}{2} \leq x < g, \end{cases}$$

and where $T_{\text{ocf}}^n \xi$ is given by

$$T_{\text{ocf}}^n \xi = [0; \varepsilon_{n+1} b_{n+1}, \varepsilon_{n+2} b_{n+2}, \dots],$$

in case

$$\xi = [0; \varepsilon_1 b_1, \dots, \varepsilon_n b_n, \dots]$$

is the OCF-expansion of ξ .

This paper is organized as follows. In Section 2 a “two-dimensional Gauss-Kusmin theorem” for Hurwitz’s SCF will be discussed. Also a generalization of a Knuth-type theorem for the SCF will be obtained. Proofs in this section will follow those from [DK], where similar results for the RCF were obtained.

All these continued fraction expansion, that is, the NICF, SCF and OCF, are examples of a very large class of SRCF-expansions, the so-called S -expansions. In Section 3 these S -expansions will be briefly discussed.

In Section 4 we will recall a result from [K2] which states that maximal (i.e. *fastest*) S -expansions, like the NICF, SCF or OCF, are metrically isomorphic. This isomorphism will then be used to carry over the results from Section 2 to any maximal S -expansion, in particular to the OCF, from which the above mentioned result (*) then follows.

2. A TWO DIMENSIONAL GAUSS-KUSMIN THEOREM

In this section we will derive a “two-dimensional” Gauss-Kusmin theorem, and also the analog of a theorem by D.E. Knuth [Kn] for the SCF. To be more precise, let

$$(X_g, \mathcal{B}_g, \mu_g, T_g)$$

be the dynamical system underlying Hurwitz’s SCF, where $X_g = [-g^2, g]$, \mathcal{B}_g is the collection of Borel sets on X_g , μ_g is a probability measure on X_g with density¹ $(\log G)^{-1}(2+x)^{-1}$ and T_g is defined as in (3). Then a Gauss-Kusmin theorem related to the natural extension

$$(\Omega_g, \overline{\mathcal{B}}_g, \overline{\mu}_g, T_g)$$

of $(X_g, \mathcal{B}_g, \mu_g, T_g)$ will be derived. Here $\Omega_g = [-g^2, g] \times [0, \frac{1}{2}]$, $\overline{\mathcal{B}}_g$ is the collection of Borel sets on Ω_g , $\overline{\mu}_g$ is a probability measure with density $(\log G)^{-1}(1+xy)^{-2}$ on Ω_g and finally T_g is defined by

$$T_g(\xi, \eta) := \left(T_g\xi, \frac{1}{[|\xi^{-1}| + g^2] + \text{sgn}(\xi) \cdot \eta} \right), (\xi, \eta) \in \Omega_g, \xi \neq 0.$$

For further reference we will mention here a slightly modified version of Rieger’s 1978 version of the Gauss-Kusmin theorem for the SCF; see also in [Rie1] the proof of Satz 2 and (7.1).

Theorem 2.1. *For every Borel set $E \subset X_g$ one has*

$$|\lambda(T_g^{-n}E) - \mu_g(E)| < C\lambda(E)\left(\frac{3}{5}\right)^n,$$

where λ is Lebesgue measure on $X_g = [-g^2, g]$ and where μ_g is defined as before, i.e.,

$$\mu_g(E) := \frac{1}{\log G} \int_E \frac{dx}{2+x}, E \in \mathcal{B}_g,$$

and C is a universal constant.

Remarks. 1. A similar theorem can be formulated for the NICF; see [Rie1], Satz 2, and also [Roc]. In this paper we choose to work with the SCF instead of the NICF only because the natural extension of the SCF is “slightly nicer” than the one for the NICF (see also [Na], [K1]); one simply needs to discern fewer cases in the proofs of the various results in case one uses the SCF.

2. The constant $\frac{3}{5}$ in Rieger’s theorem is not best possible; see also [Rie1], p. 446 and the remarks after [Rie1], Satz 2.

¹Here and in the following $G := g + 1 = \frac{1}{2}(\sqrt{5} + 1)$. Also notice that $g^2 = 1 - g = 0.38 \dots$ and $gG = 1$.

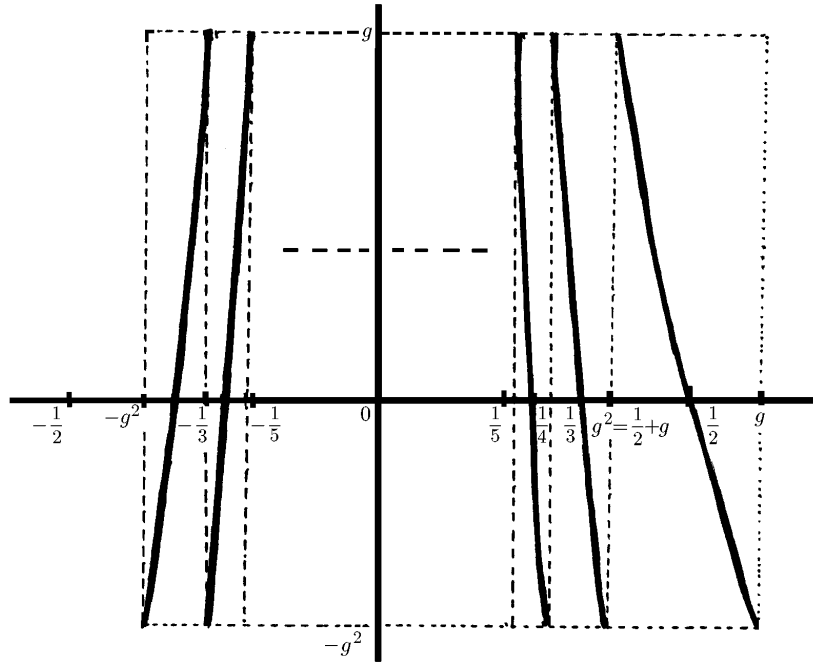


FIGURE 1. (The map T_g)

Set

$$(9) \quad m_n(x) := \lambda(\{\xi \in X_g; T_g^n \xi \leq x\}), \text{ for } x \in [-g^2, g].$$

Since for $-g^2 \leq x \leq g$

$$(10) \quad \{\xi : T_g \xi \leq x\} = \bigcup_{k=2}^{\infty} \left[\frac{1}{k+x}, \frac{1}{k-g^2} \right] \cup \bigcup_{k=3}^{\infty} \left[\frac{-1}{k-g^2}, \frac{-1}{k+x} \right],$$

the relation

$$(11) \quad m_{n+1}(x) = \sum_{k=2}^{\infty} \left(m_n\left(\frac{1}{k-g^2}\right) - m_n\left(\frac{1}{k+x}\right) \right) + \sum_{k=3}^{\infty} \left(m_n\left(\frac{-1}{k+x}\right) - m_n\left(\frac{-1}{k-g^2}\right) \right)$$

follows, which is fundamental in any proof of a Gauss-Kusmin theorem for the SCF.

In fact, the measure μ_g is an eigenfunction of (11); viz. if we put $m_n(x) := \log(2+x)$, then a simple calculation shows that $m_{n+1}(x) = \log(2+x)$. The factor $1/\log G$ is a normalizing constant.

Relation (10) easily follows from Figure 1.

Let $\xi \in [-g^2, g] \setminus \mathbf{Q}$, with SCF-expansion (4) (with $\alpha = g$). Finite truncation in (4) yields the sequence of SCF-convergents A_n/B_n of ξ ,

$$\frac{A_n}{B_n} = [0; \varepsilon_1 b_1, \dots, \varepsilon_n b_n], \quad n \geq 1.$$

One easily shows that

$$(12) \quad \begin{cases} A_{-1}(\xi) = 1; & A_0(\xi) = 0; & A_n(\xi) = b_n A_{n-1}(\xi) + \varepsilon_n A_{n-2}(\xi), & n \geq 1; \\ B_{-1}(\xi) = 0; & B_0(\xi) = 1; & B_n(\xi) = b_n B_{n-1}(\xi) + \varepsilon_n B_{n-2}(\xi), & n \geq 1. \end{cases}$$

For $(\xi, \eta) \in \Omega_g$, put

$$(T_0, V_0^*) := (\xi, \eta) \quad \text{and} \quad (T_n, V_n^*) := \mathcal{T}_g^n(\xi, \eta), \quad n \geq 1;$$

then

$$T_n = [0; \varepsilon_{n+1} b_{n+1}, \varepsilon_{n+2} b_{n+2}, \dots]; \quad V_n^* = [0; b_n, \varepsilon_n b_{n-1}, \dots, \varepsilon_2(b_1 + \varepsilon_1 \eta)].$$

Of course, for $n \geq 0$ we have that $[0; \varepsilon_{n+1} b_{n+1}, \varepsilon_{n+2} b_{n+2}, \dots]$ is the SCF-expansion of the number $T_n = \mathcal{T}_g^n \xi \in [-g^2, g) \setminus \mathbf{Q}$; it satisfies (7) for every $n \geq 0$. Notice also that the first n digits of V_n^* satisfy (6). In particular we see that if $\eta = 0$ one has that

$$[0; b_n, \varepsilon_n b_{n-1}, \dots, \varepsilon_2 b_1]$$

is the NICF-expansion of the (rational) number V_n^* . In case $\eta = 0$ we will write V_n instead of V_n^* .

Now define

$$(13) \quad m_n(x, y) := \bar{\lambda}\{(\xi, \eta) \in \Omega_g : \mathcal{T}_g^n(x, y) \in [-g^2, x] \times [0, y]\};$$

here (and in the rest of this paper) $\bar{\lambda}$ is normalized Lebesgue measure on Ω_g .

In this section we will obtain the following two theorems.

Theorem 2.2. *For all $n \geq 2$ and all $(x, y) \in \Omega_g$ one has*

$$m_n(x, y) = \frac{\log\left(\frac{1+xy}{1-g^2y}\right)}{\log G} + \mathcal{O}(g^n);$$

the constant of the big \mathcal{O} -symbol is uniform.

Theorem 2.3. *Let K be a simply connected subset of Ω_g , such that*

$$\partial K = \ell_1 \cup \dots \cup \ell_m,$$

where $m \in \mathbf{N}$ and each ℓ_i is given by either

$$\ell_i := \{(\xi, f_i(\xi)); \beta_i \leq \xi \leq \gamma_i\},$$

where $-g^2 \leq \beta_i < \gamma_i \leq g$ and $f_i : [\beta_i, \gamma_i] \rightarrow [0, \frac{1}{2}]$ is continuous and monotone, or by

$$\ell_i := \{(\beta_i, \eta); \kappa_i \leq \eta \leq \tau_i\},$$

where $\beta_i \in [-g^2, g]$ and $0 \leq \kappa_i < \tau_i \leq \frac{1}{2}$, $i = 1, \dots, m$.

Put

$$E_n(K) := \{\xi \in [-g^2, g); (T_n, V_n) := \mathcal{T}_g^n(\xi, 0) \in K\}.$$

Then one has

$$\lambda(E_n(K)) = \bar{\mu}_g(K) + \mathcal{O}(g^n),$$

where the constant in the big- \mathcal{O} symbol is uniform.

Clearly

$$\mathcal{T}_g^{n+1}(\xi, \eta) \in [-g^2, x] \times [0, y]$$

is equivalent to

$$\mathcal{T}_g^{n+1}\xi \in [-g^2, x] \text{ and } 0 \leq V_{n+1} = \frac{1}{b_{n+1} + \varepsilon_{n+1}V_n} \leq y.$$

From (10) it follows that the former expression is equivalent to

$$\mathcal{T}_g^n \xi \in \bigcup_{k=2}^{\infty} \left[\frac{1}{k+x}, \frac{1}{k-g^2} \right] \cup \bigcup_{k=3}^{\infty} \left[\frac{-1}{k-g^2}, \frac{-1}{k+x} \right].$$

The latter expression can be understood as follows. Let $\ell := \lfloor \frac{1}{y} + \frac{1}{2} \rfloor$; then if $y \leq 1/\ell$, one has $\mathcal{T}_g^{n+1}(\xi, \eta) \in \mathcal{I}_{x,y} := [-g^2, x] \times [0, y]$ is equivalent to

$$\begin{aligned} \mathcal{T}_g^n(\xi, \eta) \in & \left[\frac{1}{\ell+x}, \frac{1}{\ell-g^2} \right] \times \left[\frac{1}{y} - \ell, \frac{1}{2} \right] \\ & \cup \bigcup_{k=\ell+1}^{\infty} \left[\frac{1}{k+x}, \frac{1}{k-g^2} \right] \times \left[0, \frac{1}{2} \right] \\ & \cup \bigcup_{k=\ell+1}^{\infty} \left[\frac{-1}{k-g^2}, \frac{-1}{k+x} \right] \times \left[0, \frac{1}{2} \right] \end{aligned}$$

and if $y > 1/\ell$, then $\mathcal{T}_g^{n+1}(\xi, \eta) \in \mathcal{I}_{x,y}$ is equivalent to

$$\begin{aligned} \mathcal{T}_g^n(\xi, \eta) \in & \left[\frac{-1}{\ell-g^2}, \frac{-1}{\ell+x} \right] \times \left[0, \ell - \frac{1}{y} \right] \\ & \cup \bigcup_{k=\ell}^{\infty} \left[\frac{1}{k+x}, \frac{1}{k-g^2} \right] \times \left[0, \frac{1}{2} \right] \\ & \cup \bigcup_{k=\ell+1}^{\infty} \left[\frac{-1}{k-g^2}, \frac{-1}{k+x} \right] \times \left[0, \frac{1}{2} \right]. \end{aligned}$$

From this and (13) one gets the following recursion formula:

$$\begin{aligned} (14) \quad m_{n+1}(x, y) = & \sum_{k=\ell}^{\infty} \left(m_n\left(\frac{1}{k-g^2}, \frac{1}{2}\right) - m_n\left(\frac{1}{k+x}, \frac{1}{2}\right) \right) \\ & + \sum_{k=\ell+1}^{\infty} \left(m_n\left(\frac{-1}{k+x}, \frac{1}{2}\right) - m_n\left(\frac{-1}{k-g^2}, \frac{1}{2}\right) \right) \\ & + m_n\left(\frac{\epsilon}{\ell+x}, \epsilon\left(\frac{1}{y} - \ell\right)\right) - m_n\left(\frac{\epsilon}{\ell-g^2}, \epsilon\left(\frac{1}{y} - \ell\right)\right), \end{aligned}$$

where

$$\epsilon = \begin{cases} 1 & \text{if } y < \frac{1}{\ell}, \\ -1 & \text{if } y \geq \frac{1}{\ell}. \end{cases}$$

Lemma 2.1. *Let $n \in \mathbf{N}$, $n \geq 2$ and let y be a rational number from the interval $[0, \frac{1}{2}]$ with NICF-expansion*

$$y = [0; \ell_1, \epsilon_1 \ell_2, \dots, \epsilon_{d-1} \ell_d], \quad \ell_i \geq 2, \quad \epsilon_i \in \{-1, 1\},$$

where $d \leq \lfloor \frac{n}{2} \rfloor + 1$. Then for all $x, x^* \in [-g^2, g)$ with $x^* < x$ one has

$$\left| (m_n(x, y) - m_n(x^*, y)) - \frac{1}{\log G} \log \frac{1 + xy}{1 + x^*y} \right| < C\bar{\lambda}(\mathcal{I}_{x,y} \setminus \mathcal{I}_{x^*,y}) \left(\frac{3}{5}\right)^{n-d}.$$

Proof. Let $y = y_0$ and for $i = 1, \dots, d$ write

$$\begin{aligned} y_i &= [0; \ell_{i+1}, \epsilon_{i+1}\ell_{i+2}, \dots, \epsilon_{d-1}\ell_d] \\ &= \begin{cases} \frac{1}{y_{i-1}} - \ell_i & \text{if } y_{i-1} < \frac{1}{\ell_i}, \\ \ell_i - \frac{1}{y_{i-1}} & \text{if } y_{i-1} \geq \frac{1}{\ell_i} \end{cases} \\ &= \epsilon_i \left(\frac{1}{y_{i-1}} - \ell_i \right). \end{aligned}$$

Note that $\epsilon_i = 1$ if $y_{i-1} < \frac{1}{\ell_i}$ and $\epsilon_i = -1$ else.

Applying the above recursion formula (14) one gets

$$\begin{aligned} m_n(x, y) - m_n(x^*, y) &= \sum_{k=\ell_1}^{\infty} \left(m_{n-1}\left(\frac{1}{k+x^*}, \frac{1}{2}\right) - m_{n-1}\left(\frac{1}{k+x}, \frac{1}{2}\right) \right) \\ &+ \sum_{k=\ell_1+1}^{\infty} \left(m_{n-1}\left(\frac{-1}{k+x}, \frac{1}{2}\right) - m_{n-1}\left(\frac{-1}{k+x^*}, \frac{1}{2}\right) \right) \\ &+ m_{n-1}\left(\frac{\epsilon_1}{\ell_1+x}, y_1\right) - m_{n-1}\left(\frac{\epsilon_1}{\ell_1+x^*}, y_1\right). \end{aligned}$$

For any $D \in \bar{\mathcal{B}}_g$,

$$(15) \quad \frac{1}{\log G} \frac{2}{(1+G)^2} \bar{\lambda}(D) \leq \bar{\mu}_g(D) \leq \frac{1}{\log G} \frac{2}{G^2} \bar{\lambda}(D).$$

For each $\bar{b} = (b_1, \epsilon_1 b_2, \dots, \epsilon_{n-1} b_n)$, where $b_i \geq 2$ and $\epsilon_i \in \{-1, +1\}$ satisfy (6), let

$$Z(\bar{b}) = \left\{ x \in \left[0, \frac{1}{2}\right]; \text{NICF}(x) = [0; b_1, \epsilon_1 b_2, \dots, \epsilon_{n-1} b_n, \underbrace{\dots}_{\text{“free”}}] \right\},$$

i.e., $Z(\bar{b})$ is a *cylinder set* (or: *fundamental interval*) for the nearest integer continued fraction.

Now from (15) and the fact that \mathcal{T}_g is $\bar{\mu}_g$ -invariant

$$\begin{aligned} &\sum_{k=\ell_1}^{\infty} \left(\frac{1}{k+x^*} - \frac{1}{k+x} \right) + \sum_{k=\ell_1+1}^{\infty} \left(\frac{-1}{k+x} - \frac{-1}{k+x^*} \right) \\ &= \bar{\lambda} \left[\left(\frac{1}{\ell_1+x}, \frac{1}{\ell_1+x^*} \right) \times \left[0, \frac{1}{2}\right] \right] \\ &+ \sum_{\ell_1+1}^{\infty} \bar{\lambda} \left[\left(\left(\frac{-1}{k+x^*}, \frac{-1}{k+x} \right) \cup \left(\frac{1}{k+x}, \frac{1}{k+x^*} \right) \right) \times \left[0, \frac{1}{2}\right] \right] \\ &\leq \frac{1}{2} (1+G)^2 \log G \left[\bar{\mu}_g((x^*, x) \times Z(\ell_1)) + \sum_{k=\ell_1+1}^{\infty} \bar{\mu}_g((x^*, x) \times Z(k)) \right] \\ &\leq 2G^2 \bar{\lambda}(\mathcal{I}_{x,y} \setminus \mathcal{I}_{x^*,y}). \end{aligned}$$

A similar analysis leads to

$$\begin{aligned} & \sum_{k=\ell_i}^{\infty} (|[0; k, \epsilon_{i-1}\ell_{i-1}, \dots, \epsilon_1(\ell_1 + x^*)] - [0; k, \epsilon_{i-1}\ell_{i-1}, \dots, \epsilon_1(\ell_1 + x)]|) \\ & + \sum_{k=\ell_i+1}^{\infty} (|[0; -k, \epsilon_{i-1}\ell_{i-1}, \dots, \epsilon_1(\ell_1 + x)] - [0; -k, \epsilon_{i-1}\ell_{i-1}, \dots, \epsilon_1(\ell_1 + x^*)]|) \\ & \leq 2G^2\bar{\lambda}(\mathcal{I}_{x,y} \setminus \mathcal{I}_{x^*,y}); \end{aligned}$$

see also [DK] where the case of the RCF was dealt with.

From the above discussion and Theorem 2.1 we get, since $m_n(x, \frac{1}{2}) = m_n(x)$,

$$\begin{aligned} & \sum_{k=\ell_1}^{\infty} \left(m_{n-1}\left(\frac{1}{k+x^*}, \frac{1}{2}\right) - m_{n-1}\left(\frac{1}{k+x}, \frac{1}{2}\right) \right) \\ & + \sum_{k=\ell_1+1}^{\infty} \left(m_{n-1}\left(\frac{-1}{k+x}, \frac{1}{2}\right) - m_{n-1}\left(\frac{-1}{k+x^*}, \frac{1}{2}\right) \right) \\ & = \sum_{k=\ell_1}^{\infty} \mu_g\left(\frac{1}{k+x}, \frac{1}{k+x^*}\right) + \sum_{k=\ell_1}^{\infty} \lambda\left(\frac{1}{k+x}, \frac{1}{k+x^*}\right) \mathcal{O}\left(\left(\frac{3}{5}\right)^{n-1}\right) \\ & + \sum_{k=\ell_1+1}^{\infty} \mu_g\left(\frac{-1}{k+x^*}, \frac{-1}{k+x}\right) + \sum_{k=\ell_1+1}^{\infty} \lambda\left(\frac{-1}{k+x^*}, \frac{-1}{k+x}\right) \mathcal{O}\left(\left(\frac{3}{5}\right)^{n-1}\right) \\ & = \frac{1}{\log G} \log \left(\frac{2\ell_1 + 2x^* + 1}{2\ell_1 + 2x + 1} \frac{\ell_1 + x}{\ell_1 + x^*} \right) \\ & + \frac{1}{\log G} \lim_{n \rightarrow \infty} \sum_{k=\ell_1+1}^n \log \left(\frac{2k + 2x^* + 1}{2k + 2x + 1} \frac{2k + 2x - 1}{2k + 2x^* - 1} \right) \\ & + 2G^2\bar{\lambda}(\mathcal{I}_{x,y} \setminus \mathcal{I}_{x^*,y}) \mathcal{O}\left(\left(\frac{3}{5}\right)^{n-1}\right) \\ & = \frac{1}{\log G} \log \left(\frac{\ell_1 + x}{\ell_1 + x^*} \right) + 2G^2\bar{\lambda}(\mathcal{I}_{x,y} \setminus \mathcal{I}_{x^*,y}) \mathcal{O}\left(\left(\frac{3}{5}\right)^{n-1}\right). \end{aligned}$$

Thus we see that $m_n(x, y) - m_n(x^*, y)$ equals

$$\begin{aligned} & \frac{1}{\log G} \log \left(\frac{\ell_1 + x}{\ell_1 + x^*} \right) + 2G^2\bar{\lambda}(\mathcal{I}_{x,y} \setminus \mathcal{I}_{x^*,y}) \mathcal{O}\left(\left(\frac{3}{5}\right)^{n-1}\right) \\ & + m_{n-1}\left(\frac{\epsilon_1}{\ell_1 + x}, y_1\right) - m_{n-1}\left(\frac{\epsilon_1}{\ell_1 + x^*}, y_1\right). \end{aligned}$$

Applying (14) d -times, it follows that $m_n(x, y) - m_n(x^*, y)$ is equal to

$$\begin{aligned} & \frac{1}{\log G} \log \left[\frac{\ell_1 + x}{\ell_1 + x^*} \frac{[\ell_2; \epsilon_1(\ell_1 + x)]}{[\ell_2; \epsilon_1(\ell_1 + x^*)]} \dots \frac{[\ell_d; \epsilon_{d-1}\ell_{d-1}, \dots, \epsilon_2\ell_2, \epsilon_1(\ell_1 + x)]}{[\ell_d; \epsilon_{d-1}\ell_{d-1}, \dots, \epsilon_2\ell_2, \epsilon_1(\ell_1 + x^*)]} \right] \\ & + \bar{\lambda}(\mathcal{I}_{x,y} \setminus \mathcal{I}_{x^*,y}) \mathcal{O}\left(\left(\frac{3}{5}\right)^{n-1}\right) + \dots + \bar{\lambda}(\mathcal{I}_{x,y} \setminus \mathcal{I}_{x^*,y}) \mathcal{O}\left(\left(\frac{3}{5}\right)^{n-d}\right). \end{aligned}$$

Let

$$(16) \quad \begin{cases} P_{-1} = 1; & P_0 = 0; & P_i = \alpha_i P_{i-1} + \epsilon_{i-1} P_{i-2}, & i = 1, \dots, d; \\ Q_{-1} = 0; & Q_0 = 1; & Q_i = \alpha_i Q_{i-1} + \epsilon_{i-1} Q_{i-2}, & i = 1, \dots, d, \end{cases}$$

where $\alpha_1 = \ell_1 + x, \alpha_2 = \ell_2, \dots, \alpha_d = \ell_d$ and $\epsilon_0 = 1$. Then

$$\frac{Q_{i-1}}{Q_i} = [0; \ell_i, \epsilon_{i-1}\ell_{i-1}, \dots, \epsilon_1(\ell_1 + x)]$$

for $i = 1, \dots, d$, from which it follows that

$$\begin{aligned} (\ell_1 + x)[\ell_2; \epsilon_1(\ell_1 + x)] \cdots [\ell_d; \epsilon_{d-1}\ell_{d-1}, \dots, \epsilon_2\ell_2, \epsilon_1(\ell_1 + x)] &= \frac{Q_1}{Q_0} \frac{Q_2}{Q_1} \cdots \frac{Q_d}{Q_{d-1}} \\ &= \frac{Q_d}{Q_0} = Q_d. \end{aligned}$$

Let P_i^* and Q_i^* be defined as in (16), with α_1 replaced by $\alpha_1^* = \ell_1 + x^*$.

Now

$$\begin{aligned} \frac{P_d}{Q_d} &= [0; \ell_1 + x, \epsilon_1\ell_2, \dots, \epsilon_{d-1}\ell_d], \\ \frac{P_d^*}{Q_d^*} &= [0; \ell_1 + x^*, \epsilon_1\ell_2, \dots, \epsilon_{d-1}\ell_d] \end{aligned}$$

and

$$P_d = P_d^*.$$

Thus we find that

$$\begin{aligned} &\frac{\ell_1 + x}{\ell_1 + x^*} \frac{[\ell_2; \epsilon_1(\ell_1 + x)]}{[\ell_2; \epsilon_1(\ell_1 + x^*)]} \cdots \frac{[\ell_d; \epsilon_{d-1}\ell_{d-1}, \dots, \epsilon_2\ell_2, \epsilon_1(\ell_1 + x)]}{[\ell_d; \epsilon_{d-1}\ell_{d-1}, \dots, \epsilon_2\ell_2, \epsilon_1(\ell_1 + x^*)]} \\ &= \frac{Q_d}{Q_d^*} = \frac{Q_d P_d^*}{P_d Q_d^*} = \frac{x + [\ell_1; \epsilon_1\ell_2, \dots, \epsilon_{d-1}\ell_d]}{x^* + [\ell_1; \epsilon_1\ell_2, \dots, \epsilon_{d-1}\ell_d]} \\ &= \frac{x + \frac{1}{y}}{x^* + \frac{1}{y}} = \frac{1 + xy}{1 + x^*y}. \end{aligned}$$

Therefore,

$$m_n(x, y) - m_n(x^*, y) = \frac{1}{\log G} \log \left(\frac{1 + xy}{1 + x^*y} \right) + \bar{\lambda}(\mathcal{I}_{x,y} \setminus \mathcal{I}_{x^*,y}) \mathcal{O} \left(\left(\frac{3}{5} \right)^{n-d} \right),$$

which proves Lemma 2.1. □

Remarks. The proof of Theorem 2.2 now follows from Lemma 2.1 and (15). It is similar to the proof of [DK], Theorem 2, the essential difference being the fact that now the NICF-expansion of y is considered, instead of the RCF-expansion of y . As is well-known (and this follows directly from the fact that the NICF is an S -expansion, see also the next section), the sequence of NICF-convergents $(p_k/q_k)_{k \geq -1}$ forms a subsequence of the sequence of RCF-convergents of y . Thus it is possible to obtain sharper bounds; e.g., one has that

$$\left| y - \frac{p_k}{q_k} \right| < \frac{g}{q_k^2}.$$

Theorem 2.3 also follows from Lemma 2.1. Since Theorem 2.3 plays a key role in the proof of our main result, Theorem 4.1, and Theorem 2.2 is just a nice result along the way, the proof of Theorem 2.2 is left to the reader.

Proof of Theorem 2.3. Let $\bar{b} = (b_1, \epsilon_1 b_2, \dots, \epsilon_{n-1} b_n)$ be some arbitrary admissible sequence of length n for the NICF, i.e., ϵ_i and b_i satisfy (6), and let $Z(\bar{b})$ be defined as before. For each $i = 1, \dots, m$, let

$$Z^i(\bar{b}) = Z(\bar{b}) \cap \{y \in [0, \frac{1}{2}]; (x, y) \in l_i \text{ for some } x \in [-g^2, g]\},$$

and define $L_n^i(\bar{b}), R_n^i(\bar{b})$ as follows:

$$[L_n^i(\bar{b}), R_n^i(\bar{b})] := f_i^{-1}(Z^i(\bar{b})).$$

Set

$$U_n := \bigcup_{i=1}^m \bigcup_{\bar{b}} B_n^i(\bar{b}),$$

where

$$B_n^i(\bar{b}) := \begin{cases} [L_n^i(\bar{b}), R_n^i(\bar{b})] \times Z(\bar{b}) & \text{if } f_i([\beta_i, \gamma_i]) \cap Z(\bar{b}) \neq \emptyset, \\ \emptyset & \text{otherwise;} \end{cases}$$

see also Figure 2. Let

$$\beta := \min_{1 \leq i \leq m} \beta_i \text{ and } \gamma := \max_{1 \leq i \leq m} \gamma_i,$$

and define a partition \mathcal{P}_n of $[\beta, \gamma]$ by

$$\mathcal{P}_n = \bigvee_{i=1}^m \{[L_n^i(\bar{b}), R_n^i(\bar{b})], [\beta, \beta_i], [\gamma_i, \gamma] : \bar{b} \text{ is NICF-admissible of length } n\}.$$

Let $d = \lfloor \frac{n}{2} \rfloor + 1$ and $\bar{\mathcal{P}}_d = \mathcal{P}_n \times \mathcal{F}_d$, with

$$\mathcal{F}_d = \{Z(\bar{b}) : \bar{b} \text{ is NICF-admissible of length } d\},$$

and let $\bar{a} = (\epsilon_1 a_1, \epsilon_2 a_2, \dots, \epsilon_n a_n)$ be an SCF-admissible sequence, i.e., (7) is satisfied. Define for \bar{a} the sequence \tilde{a} by $\tilde{a} := (a_n, \epsilon_n a_{n-1}, \dots, \epsilon_2 a_1)$. Then \tilde{a} is a NICF-admissible sequence, i.e., (6) is satisfied. We denote by

$$\Delta(\bar{a}) = \{x \in [-g^2, g]; \text{SCF}(x) = [0; \epsilon_1 a_1, \epsilon_2 a_2, \dots, \epsilon_n a_n, \underbrace{\dots}_{\text{“free”}}]\},$$

a *cylinder set* (or *fundamental interval*) for Hurwitz’s singular continued fraction.

Note that

$$T_g^n \left(\bigcup_{\epsilon_1 \in \{-1, 1\}} \Delta(\epsilon_1 a_1, \epsilon_2 a_2, \dots, \epsilon_n a_n) \times [0, \frac{1}{2}] \right) = [-g^2, g] \times Z,$$

where $Z = Z(a_n, \epsilon_n a_{n-1}, \dots, \epsilon_2 a_1)$. Furthermore we have the convention that $\Delta(-2, \epsilon_2 a_2, \dots, \epsilon_n a_n) = \emptyset$.

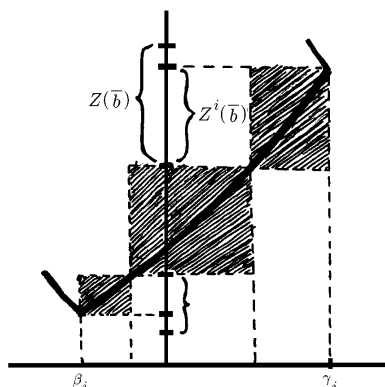


FIGURE 2

Thus,

$$\begin{aligned}
 & \mathcal{T}_g^n(E_n(K) \times [0, \frac{1}{2}]) \\
 &= \mathcal{T}_g^n\left(\bigcup_{\substack{\text{all SCF-} \\ \text{admissible} \\ (\epsilon_1 a_1, \dots, \epsilon_n a_n)}} (E_n(K) \cap \Delta(\epsilon_1 a_1, \dots, \epsilon_n a_n)) \times [0, \frac{1}{2}]\right) \\
 &= \mathcal{T}_g^n\left(\bigcup_{\substack{\text{all SCF-} \\ \text{admissible} \\ (a_1, \dots, \epsilon_n a_n)}} \bigcup_{\epsilon_1 \in \{-1, 1\}} (E_n(K) \cap \Delta(\epsilon_1 a_1, \dots, \epsilon_n a_n)) \times [0, \frac{1}{2}]\right) \\
 &= \bigcup_{\substack{\text{all SCF-} \\ \text{admissible} \\ (a_1, \dots, \epsilon_n a_n)}} \left(\mathcal{T}_g^n(E_n(K) \cap \bigcup_{\epsilon_1 \in \{-1, 1\}} \Delta(\epsilon_1 a_1, \dots, \epsilon_n a_n))\right) \times Z(\bar{a}).
 \end{aligned}$$

Since K is simply connected

$$K \setminus U_d \subset K \setminus U_n \subset \mathcal{T}_g^n\left(E_n(K) \times [0, \frac{1}{2}]\right) \subset K \cup U_n \subset K \cup U_d,$$

where

$$K \setminus U_d = \bigcup \{W \in \bar{\mathcal{P}}_d : W \subset K \setminus U_d\},$$

and similarly for $K \cup U_d$. By Lemma 2.1 one has

$$\bar{\lambda}(\mathcal{T}_g^{-n}(K \setminus U_d)) = \bar{\mu}_g(K \setminus U_d) + \mathcal{O}\left(\left(\frac{3}{5}\right)^{n-d}\right),$$

and a similar statement for $K \cup U_d$. Using techniques from [K1], Section 1, one has for \bar{b} an NICF-admissible sequence of length d , corresponding to a positive rational number p_d/q_d

$$Z(\bar{b}) = \begin{cases} \left(\frac{2p_d - p_{d-1}}{2q_d - q_{d-1}}, \frac{2p_d + p_{d-1}}{2q_d + q_{d-1}}\right) & \text{if } b_d > 2, \\ \left(\frac{p_d}{q_d}, \frac{2p_d + p_{d-1}}{2q_d + q_{d-1}}\right) & \text{if } b_d = 2, \end{cases}$$

where² p_{d-1}/q_{d-1} and p_d/q_d are the last two NICF-convergents of p_d/q_d , and b_d is the last *partial quotient* (i.e., digit) of \bar{b} .

Since $|p_{d-1}q_d - p_dq_{d-1}| = 1$ and any sequence of NICF-convergents is a subsequence of a sequence of RCF-convergents,

$$\lambda(Z(\bar{b})) \leq \frac{4}{(2q_d - q_{d-1})(2q_d + q_{d-1})} \leq \frac{4}{\mathcal{F}_d \mathcal{F}_{d+1}},$$

where \mathcal{F}_n , $n \geq 0$, is the Fibonacci sequence $0, 1, 1, 2, 3, \dots$. From this and (15) one obtains

$$\begin{aligned} \bar{\mu}_g\left(\bigcup_{\bar{b}} B_d^i(\bar{b})\right) &\leq \frac{1}{\log G} \frac{2}{G^2} \sum_{\bar{b}} \bar{\lambda}(B_d^i(\bar{b})) \\ &\leq \frac{1}{\log G} \frac{2}{G^2} \frac{4(\gamma_i - \beta_i)}{\mathcal{F}_d \mathcal{F}_{d+1}}. \end{aligned}$$

Since

$$\frac{G^{2d}}{5} \leq \mathcal{F}_d \mathcal{F}_{d+1}$$

it follows that

$$\bar{\mu}_g(U_d) \leq \left(\frac{5}{G^2} \sum_{i=1}^m (\gamma_i - \beta_i) \right) g^n.$$

The desired result now follows from the above and the observations that $\frac{3}{5} < g$ and $\lambda(E_n(K)) = \bar{\lambda}(E_n(K) \times [0, \frac{1}{2}])$. □

Remark. It should be clear that Theorem 2.3 remains correct if K is a finite union of simply connected subsets K_i of Ω_g , each satisfying the conditions of Theorem 2.3 imposed upon K .

We finish this section with a number of direct corollaries of Theorem 2.3. Let $\xi \in [-g^2, g)$ be an irrational number, with SCF-expansion (4) (where $\alpha = g$), sequence of SCF-convergents $(A_n/B_n)_{n \geq -1}$, and let $(T_n, V_n)_{n \geq -1}$ be defined as before, i.e.,

$$(T_n, V_n) = T_g^n(\xi, 0).$$

Then we define the *approximation coefficients* $\Theta_n = \Theta_n(\xi)$ by

$$\Theta_n(\xi) = B_n^2 \left| \xi - \frac{A_n}{B_n} \right|, \quad n \geq 1,$$

and one has that $\Theta_n < g$. We have the following corollaries.

Corollary 2.1. *Let $K_n(z_1, z_2) = \{\xi \in [-g^2, g) \setminus \mathbf{Q} : \Theta_{n-1} \leq z_1, \Theta_n \leq z_2\}$ for $0 \leq z_1, z_2 \leq g$. Furthermore, let Γ_1 denote the interior of the quadrangle with vertices $(0, 0)$, $(\frac{1}{2}, 0)$, $(\frac{1}{2+g}, \frac{2g}{2+g})$ and $(0, g)$, and Γ_{-1} the interior of the quadrangle with vertices $(0, 0)$, $(\frac{1}{2}, 0)$, $(g, 2g^3)$ and $(0, g^2)$. Then*

$$\lambda(K_n(z_1, z_2)) = H_g(z_1, z_2) + \mathcal{O}(g^n),$$

²If $\alpha < \beta$, (β, α) is understood to be the interval (α, β) .

where H_g is the distribution function with density h_g given by

$$h_g(\alpha, \beta) = \begin{cases} \frac{1}{\log G} \frac{1}{\sqrt{1-4\alpha\beta}} & \text{if } (\alpha, \beta) \in \Gamma_1 \setminus \Gamma_{-1}, \\ \frac{1}{\log G} \left(\frac{1}{\sqrt{1-4\alpha\beta}} + \frac{1}{\sqrt{1+4\alpha\beta}} \right) & \text{if } (\alpha, \beta) \in \Gamma_1 \cap \Gamma_{-1}, \\ \frac{1}{\log G} \frac{1}{\sqrt{1+4\alpha\beta}} & \text{if } (\alpha, \beta) \in \Gamma_{-1} \setminus \Gamma_1, \\ 0 & \text{otherwise.} \end{cases}$$

The proof of Corollary 2.1 follows directly from Theorem 2.3 and the fact that

$$\Theta_{n-1} = \frac{V_n}{1 + T_n V_n} \quad \text{and} \quad \Theta_n = \frac{\epsilon_{n+1} T_n}{1 + T_n V_n}, \quad n \geq 2.$$

Notice that we moreover have that for all ξ the sequence (Θ_{n-1}, Θ_n) , $n \geq 1$, is a sequence in $\Gamma_1 \cup \Gamma_{-1}$; see also [K1], Section 6, and [J].

Choosing in Corollary 2.1 z_1 to be equal to g yields the following corollary, which is analogous to a theorem by D.E. Knuth [Kn] for the RCF-expansion.

Corollary 2.2. *Let $J_n(z) = \{\xi \in [-g^2, g) \setminus \mathbf{Q} : \Theta_n \leq z\}$ for $0 \leq z \leq g$. Then*

$$\lambda(J_n(z)) = F_g(z) + \mathcal{O}(g^n),$$

where F_g is the distribution function given by

$$F_g(z) = \begin{cases} \frac{z}{\log G} & \text{if } 0 \leq z \leq g^2, \\ \frac{1}{\log G} (z - G^2 z + \log(G^2 z) + 1) & \text{if } g^2 \leq z \leq g, \\ 1 & \text{if } g \leq z \leq 1. \end{cases}$$

In 1983, W. Bosma, H. Jager and F. Wiedijk [BJW] obtained the “counterpart” of Corollary 2.2. They showed that for almost all $\xi \in [-g^2, g)$ (with respect to the Lebesgue measure) and $z \in [0, \frac{1}{2}]$ one has that the limit

$$\lim_{N \rightarrow \infty} \frac{1}{N} \#\{1 \leq n \leq N; \Theta_n \leq z\}$$

exists, and equals $F_g(z)$. We speak here of counterpart because the two theorems are like the two faces of the same coin. One face deals with the pointwise convergence of ergodic averages, the other with weak convergence of probability measures with a given speed of convergence.

In [J], H. Jager showed that for a generic $\xi \in [0, 1)$ the sequence $\mathcal{T}^n(\xi, 0)$ is distributed over Ω according to $(\log 2)^{-1}(1 + xy)^{-2}$, which is the density of the invariant measure of \mathcal{T} . Due to the way S -expansions in general - and the SCF-expansion in particular - are defined it now at once follows that for a generic $\xi \in [-g^2, g)$ the sequence $\mathcal{T}_g(\xi, 0) = (T_n, V_n)$ is distributed over Ω_g according to the density function $(\log G)^{-1}(1 + tv)^{-2}$, which is the density of the invariant measure of \mathcal{T}_g . From this and Birkhoff’s Ergodic Theorem it follows that for any $K \subset \Omega_g$ satisfying the hypothesis of Theorem 2.3 and for almost every ξ (in the sense of Lebesgue) the limit

$$\lim_{N \rightarrow \infty} \frac{1}{N} \#\{1 \leq n \leq N; (T_n, V_n) \in K\}$$

exists, and equals $\bar{\mu}_g(K)$.

3. *S*-EXPANSIONS

In this section we will recall some facts on *S*-expansions, which have been dealt with in [K1].

Let ξ be an irrational number, and let (5) be some SRCF-expansion of ξ . Suppose that we have for a certain $k \geq 0$: $b_{k+1} = 1$, $\varepsilon_{k+1} = \varepsilon_{k+2} = 1$. The operation by which the continued fraction (5) is replaced by³

$$[b_0; \varepsilon_1 b_1, \dots, \varepsilon_{k-1} b_{k-1}, \varepsilon_k (b_k + 1), -(b_{k+2} + 1), \varepsilon_{k+3} b_{k+3}, \dots],$$

which again is an SRCF-expansion of x , with convergents, say, $(c_n/d_n)_{n \geq -1}$, is called *the singularization of the partial quotient b_{k+1} equal to 1*. One easily shows that $(c_n/d_n)_{n \geq -1}$ is obtained from $(A_n/B_n)_{n \geq -1}$ by skipping the term A_k/B_k . See also [K1], Sections 2 and 4.

A simple way to derive a strategy for singularization is given by a *singularization area S*. Here we will choose *S* to be a subset of the natural extension

$$(\Omega, \overline{\mathcal{B}}, \bar{\mu}, \mathcal{T})$$

of the RCF. Here $\Omega := [0, 1] \times [0, 1]$, $\overline{\mathcal{B}}$ is the collection of Borel sets of Ω , and the two-dimensional RCF-operator \mathcal{T} is given by

$$\mathcal{T}(\xi, \eta) := \left(T\xi, \frac{1}{\lfloor \xi^{-1} \rfloor + \eta} \right), \quad (\xi, \eta) \in \Omega, \xi \neq 0.$$

Finally, $\bar{\mu}$ is the invariant measure with density $(\log 2)^{-1}(1+xy)^{-2}$. It is well-known that the dynamical system $(\Omega, \overline{\mathcal{B}}, \bar{\mu}, \mathcal{T})$ is Bernoulli.

Definition 3.1. A subset *S* from Ω is called a singularization area if it satisfies

- (I) $S \in \mathcal{B}$ and $\mu(\partial S) = 0$;
- (II) $S \subset ([\frac{1}{2}, 1] \setminus \mathbf{Q}) \times [0, 1]$;
- (III) $\mathcal{T}(S) \cap S = \emptyset$.

Remark. It easily follows from Definition 3.1 and Figure 3 that

$$0 \leq \bar{\mu}(S) \leq 1 - \frac{\log G}{\log 2} = 0.3057\dots;$$

see also [K1], Theorem (4.7). A singularization area is called *maximal* in case

$$\bar{\mu}(S) = 1 - \frac{\log G}{\log 2} = 0.3057\dots$$

Definition 3.2. Let *S* be a singularization area and let ξ be a real irrational number. The *S*-expansion of ξ is that semi-regular continued fraction expansion converging to ξ , which is obtained from the RCF-expansion (1) of ξ by singularizing d_{n+1} if and only if $\mathcal{T}^n(\xi, 0) \in S$, $n \geq 0$.

Some examples of singularization areas are⁴

- 1. $S_{\frac{1}{2}} := [\frac{1}{2}, 1] \times [0, g]$ yields the *nearest integer continued fraction* (NICF). The area $S_{\frac{1}{2}}$ is maximal;
- 2. $S_g := \{(T, V) \in \Omega; (g, 1) \times [0, 1]\}$; this area yields Hurwitz's *singular continued fraction* (SCF); it is maximal, see [K2].

³In case $k = 0$ this comes down to replacing (5) by $[b_0 + 1; -(b_2 + 1), \varepsilon_3 b_3, \varepsilon_4 b_4, \dots]$.

⁴All these areas need some minor modifications in order to satisfy the above Definition 3.1, see [K1], (4.6)ii).

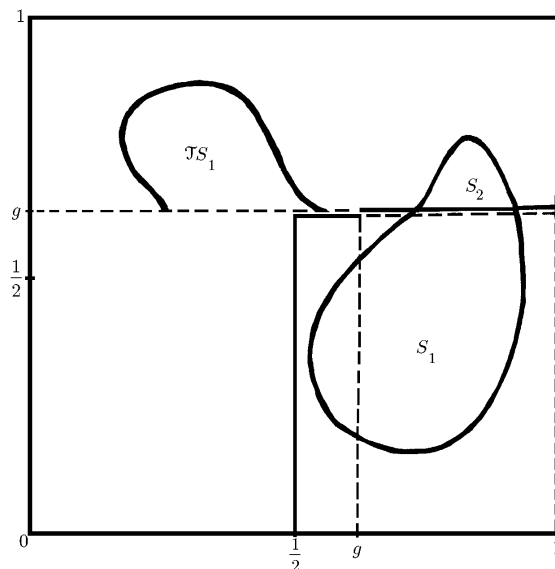


FIGURE 3

3. $S_{\text{ocf}} := \{(T, V) \in \Omega; V < \min(T, \frac{2T-1}{1-T})\}$; this area yields the OCF and is also maximal.
4. $S_{\text{dcf}} := \{(T, V) \in \Omega; \frac{T}{1+TV} > \frac{1}{2}\}$; this area yields the *diagonal continued fraction (DCF) of Minkowski*; it is not maximal, see [K3].

Remark. Let $\xi \in [0, 1)$ be some irrational number, with RCF-expansion (1). From Definition 3.2 and the above examples one easily sees that the following algorithm yields the NICF-expansion of ξ :

>>singularize in each block of m consecutive partial quotients $d_{n+1} = 1, \dots, d_{n+m} = 1$, where $m \in \mathbf{N} \cup \{\infty\}$, $d_{n+m+1} \neq 1$ and $d_n \neq 1$ in case $n > 0$, the first, third, fifth, etc. partial quotient<<

while doing the same in case m is odd, and in case m is even

>>singularize the second, fourth, sixth, etc. partial quotient<<

yields Hurwitz’s SCF. The OCF “combines” both algorithms; first one singularizes the first and last 1’s in every block of m consecutive 1’s, and then “move in”. That the NICF, SCF and OCF-algorithms singularize blocks of odd length in the same way reflects the fact that these expansions are maximal; There is only one way to “throw out” (= to singularize) as many 1’s as possible in a block of odd length. In a block of even length a “jump” has to be made somewhere (see also [K2]). E.g. for the NICF one makes this jump at the end, and for the SCF at the beginning. The OCF chooses the jump in such a way that one is left with the smallest possible θ_k ’s. One can show, see [BK2], that for the OCF the jump takes place in the middle of the block.

That for a maximal S -expansion one always makes the maximal number of “throw-outs” in any block of consecutive 1’s has several nice consequences. One is that maximal S -expansions are metrically isomorphic, a fact we will use in Section 4. Another consequence is, that a *Heilbronn-theorem* for maximal S -expansions follows

trivially from Rieger’s 1978 Heilbronn-theorem for the NICF [Rie2]. In order to see this, recall that each rational number $p/q \in [0, 1)$ has a unique finite RCF-expansion $p/q = [0; d_1, \dots, d_\ell]$, with $d_\ell \neq 1$ (clearly $[0; d_1, \dots, d_\ell] = [0; d_1, \dots, d_\ell - 1, 1]$, but the latter expansion cannot be obtained via $T -$ and is therefore considered “illegal”). Thus the length of the S -expansion of p/q is the same as the length of the NICF-expansion of p/q in case S is maximal.

Proposition 3.1. *Let S be a maximal singularization area (with⁵ $\bar{S}^o = S^o$ and $(\xi, \eta) \in \partial S \setminus S$ implies $\mathcal{T}(\xi, \eta) \in S$ or $\mathcal{T}^{-1}(\xi, \eta) \in S$). Let a and N be positive integers, such that $(a, N) = 1$. Denote by $\ell(a) = \ell(a, N)$ the length of the S -expansion of a/N , i.e., if*

$$\frac{a}{N} = [b_0; \varepsilon_1 b_1, \dots, \varepsilon_\ell b_\ell]$$

is the S -expansion of a/N , then $\ell(a) = \ell$. Finally, let φ denote the Euler φ -function and let $\sigma_{-1}(N) := \sum_{d|N} 1/d$. Then

$$\sum_{\substack{1 \leq a \leq N \\ (a, N) = 1}} \ell(a) = \frac{12 \log G}{\pi^2} \varphi(N) \log N + \mathcal{O}(N \sigma_{-1}^3(N)).$$

Let S be a singularization area and let ξ be a real irrational number, with RCF-expansion (1) and RCF-convergents $(P_n/Q_n)_{n \geq -1}$. Furthermore, let $[a_0; \varepsilon_1 a_1, \dots, \varepsilon_k a_k, \dots]$ be the S -expansion of ξ , and let $r_k/s_k, k \geq -1$, be its S -convergents. Define the shift t by

$$t(\xi - a_0) := [0; \varepsilon_2 a_2, \dots, \varepsilon_k a_k, \dots].$$

For a fixed ξ and for $k \geq 0$ we put

$$t_k := t^k(\xi - a_0) = [0; \varepsilon_{k+1} a_{k+1}, \varepsilon_{k+2} a_{k+2}, \dots] \text{ and } v_k := s_{k-1}/s_k,$$

where

$$v_k = [0; a_k, \varepsilon_k a_{k-1}, \dots, \varepsilon_2 a_1], k \geq 1; v_0 = 0.$$

See also [K1], (1.4) and (5.1).

We have the following theorem.

Theorem 3.1. *Let S be a singularization area and put $\Delta_S := \Omega \setminus S, \Delta_S^- := \mathcal{T}S$ and $\Delta_S^+ := \Delta_S \setminus \Delta_S^-$. Let ξ be a real number, with RCF-expansion (1) and RCF-convergents $(P_n/Q_n)_{n \geq -1}$. Then one has*

1. *The system $(\Delta_S, \mathcal{B}, \rho_S, \mathcal{O}_S)$ forms an ergodic system. Here ρ_S is the probability measure on (Δ_S, \mathcal{B}) with density $((1 - \mu(S)) \log 2)^{-1} (1 + xy)^{-2}$ and the map \mathcal{O}_S is induced by \mathcal{T} on Δ_S .*
2. *$\mathcal{T}^n(\xi, 0) \in S \Leftrightarrow P_n/Q_n$ is not an S -convergent;*
3. *P_n/Q_n is not an S -convergent \Rightarrow both P_{n-1}/Q_{n-1} and P_{n+1}/Q_{n+1} are S -convergents;*

⁵This to prevent the existence of an exceptional subset of \bar{S} of measure 0 where one does not singularize as many 1’s as possible.

4.

$$\mathcal{T}^n(\xi, 0) \in \Delta_S^+ \Leftrightarrow \exists k : \begin{cases} r_{k-1} = P_{n-1}, & r_k = P_n, \\ s_{k-1} = Q_{n-1}, & s_k = Q_n, \end{cases}$$

and $\mathcal{T}^n(\xi, 0) = (t_k, v_k)$;

5.

$$\mathcal{T}^n(\xi, 0) \in \Delta_S^- \Leftrightarrow \exists k : \begin{cases} r_{k-1} = P_{n-2}, & r_k = P_n, \\ s_{k-1} = Q_{n-2}, & s_k = Q_n, \end{cases}$$

and $\mathcal{T}^n(\xi, 0) = (\frac{-t_k}{1+t_k}, 1 - v_k)$.

(See also [K1], Theorem (5.3).)

In view of Theorem 3.1 we define the map $\mathcal{M} : \Delta_S \rightarrow \mathbf{R}^2$ by

$$\mathcal{M}(T, V) := \begin{cases} (T, V), & (T, V) \in \Delta_S^+; \\ (\frac{-T}{1+T}, 1 - V), & (T, V) \in \Delta_S^-. \end{cases}$$

We have the following theorem.

Theorem 3.2. *Let S be a singularization area and put $\Omega_S := \mathcal{M}(\Delta_S)$. Let \mathcal{B} be the collection of Borel subsets of Ω_S and let μ_S be the probability measure on (Ω_S, \mathcal{B}) , defined by*

$$\mu_S(E) := \rho_S(\mathcal{M}^{-1}(E)), \quad E \in \mathcal{B}.$$

Furthermore, if we define the map $\mathcal{T}_S : \Omega_S \rightarrow \Omega_S$ by

$$\mathcal{T}_S(t, v) := \mathcal{M}(\mathcal{O}_S(\mathcal{M}^{-1}(t, v))), \quad (t, v) \in \Omega_S,$$

then \mathcal{T}_S is conjugate to \mathcal{O}_S by \mathcal{M} and $(\Omega_S, \mathcal{B}, \mu_S, \mathcal{T}_S)$ forms an ergodic system with density $((1 - \mu(S)) \log 2)^{-1} (1 + tv)^{-2}$. Finally, for almost all $x \in [0, 1)$ the⁶ sequence $(t_k, v_k)_{k \geq 0}$ is distributed over Ω_S according to this density.

Remarks. (I) From Theorems 3.1 and 3.2 it follows that $(\Omega_S, \mathcal{B}, \mu_S, \mathcal{T}_S)$, which is the two-dimensional ergodic system underlying the corresponding S -expansion, is isomorphic (via the \mathcal{M} -map) to an induced system of (Ω, T) with return-time bounded by 2.

(II) One can show that \mathcal{T}_S can be written in the following way:

$$\mathcal{T}_S(t, v) = \left(\left| \frac{1}{t} \right| - f_S(t, v), \frac{1}{\text{sgn}(t) \cdot v + f_S(t, v)} \right), \quad \text{for } (t, v) \in \Omega_S.$$

Furthermore one has

$$a_{k+1} = f_S(t_k, v_k), \quad k \geq 0, \quad \text{where } (t_0, v_0) = (\xi - a_0, 0).$$

Thus we see that the S -expansion is the process associated with \mathcal{T}_S and f_S .

For the aforementioned first three examples we have

$$f_{\frac{1}{2}}(t, v) = \lfloor \left| \frac{1}{t} \right| + \frac{1}{2} \rfloor \quad (\text{NICF}), \quad f_g(t, v) = \lfloor \left| \frac{1}{t} \right| + g^2 \rfloor \quad (\text{SCF})$$

⁶All almost sure statements in this paper are with respect to the Lebesgue measure.

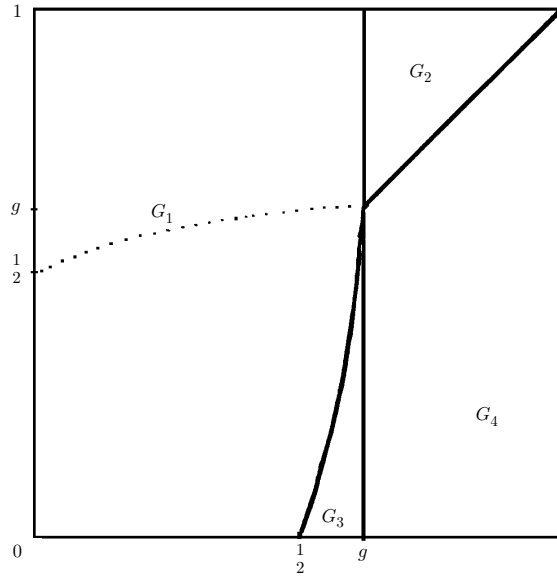


FIGURE 4

and

$$f_{\text{ocf}}(t, v) = \left\lfloor \left\lfloor \frac{1}{t} \right\rfloor + \frac{\lfloor \frac{1}{t} \rfloor + \text{sgn}(t)v}{2(\lfloor \frac{1}{t} \rfloor + \text{sgn}(t)v) + 1} \right\rfloor \quad (\text{OCF}).$$

(III) In case of the OCF the last statement of Theorem 3.2 says that for a.e. $\xi \in [-\frac{1}{2}, \frac{1}{2})$ the sequence $(\mathcal{T}_{\text{ocf}}^n(\xi, 0))_{n \geq 0}$ is distributed according to the density function $(\log G)^{-1}(1 + tv)^{-2}$, i.e., it behaves like the orbit of a generic point.

4. GAUSS-KUSMIN FOR MAXIMAL S -EXPANSIONS

Now we concentrate on maximal singularization areas S (like those for the NICF, SCF and OCF), i.e., $\mu(S) = 1 - \frac{\log G}{\log 2} = 0.3057\dots$. In [K2] it was shown that for maximal singularization areas the systems $(\Delta_S, \mathcal{B}, \rho_S, \mathcal{O}_S)$ and $(\Delta_g, \mathcal{B}, \rho_g, \mathcal{O}_g)$ are isomorphic via a map $\psi : \Delta_S \rightarrow \Delta_g$, given by

$$(17) \quad \psi(\xi, \eta) := \begin{cases} (\xi, \eta), & (\xi, \eta) \in G_1 := \Delta_S \cap \Delta_g, \\ \mathcal{T}^{-1}(\xi, \eta), & (\xi, \eta) \in G_2 := \Delta_S \setminus \Delta_g, \end{cases}$$

and define moreover $G_3 := \Delta_g \setminus \Delta_S$, $G_4 := S \cap S_g$ (in Figure 4 we have depicted G_1, \dots, G_4 in case $S = S_{\text{ocf}}$).

We now will prove the following theorem, which is the main result of this paper.

Theorem 4.1. *Let $\mathcal{K} \subset \Omega_{\text{ocf}}$ be a simply connected subset of Ω_{ocf} , satisfying the conditions of Theorem 2.3. Putting*

$$D_n(\mathcal{K}) := \left\{ \xi \in \left[-\frac{1}{2}, \frac{1}{2}\right); \mathcal{T}_{\text{ocf}}^n(\xi, 0) \in \mathcal{K} \right\},$$

one has

$$\lambda(D_n(\mathcal{K})) = \bar{\mu}_{\text{ocf}}(\mathcal{K}) + \mathcal{O}(g^n),$$

where the constant in the big- \mathcal{O} symbol is uniform.

Remark. It should be mentioned that the same result holds (with the same proof) for any maximal S -expansion; see also the final remarks at the end of this section.

Let $\mathcal{K} \subset \Omega_{\text{ocf}}$ be as in Theorem 4.1, and define

$$\begin{aligned} \mathcal{U}_{\mathcal{K}} &:= \left\{ \xi \in \left[-\frac{1}{2}, -g^2\right) : \mathcal{T}_{\text{ocf}}^n(\xi, 0) \in \mathcal{K} \right\}, \\ \mathcal{V}_{\mathcal{K}} &:= \left\{ \xi \in \left[-g^2, 0\right) : \mathcal{T}_{\text{ocf}}^n(\xi, 0) \in \mathcal{K} \right\}, \\ \mathcal{W}_{\mathcal{K}} &:= \left\{ \xi \in \left[0, \frac{1}{2}\right) : \mathcal{T}_{\text{ocf}}^n(\xi, 0) \in \mathcal{K} \right\}. \end{aligned}$$

Lemma 4.1. *Let $\mathcal{K} \subset \Omega_{\text{ocf}}$ be a simply connected subset of Ω_{ocf} , satisfying the conditions of Theorem 2.3. Then*

$$\lambda\left(\left\{ \xi \in \left[-\frac{1}{2}, \frac{1}{2}\right) : \mathcal{T}_{\text{ocf}}^n(\xi, 0) \in \mathcal{K} \right\}\right) = \lambda\left(\left\{ \xi \in \left[-g^2, g\right) : \mathcal{T}_g^n(\xi, 0) \in \mathcal{H}_{\mathcal{K}} \right\}\right),$$

where

$$\mathcal{H}_{\mathcal{K}} := \mathcal{M}\left(\psi\left(\mathcal{M}^{-1}(\mathcal{K})\right)\right).$$

Proof. From the definitions of \mathcal{M} and ψ , and by the S -mechanism (applied to S_{ocf} and S_g) it follows that

$$\begin{aligned} \xi \in \mathcal{U}_{\mathcal{K}} &\Leftrightarrow \mathcal{O}_{\text{ocf}}^n\left(\frac{-\xi}{1+\xi}, 1\right) \in \mathcal{M}^{-1}(\mathcal{K}) \text{ and } 1+\xi \in \left[\frac{1}{2}, g\right) \\ &\Leftrightarrow \mathcal{O}_g^n(1+\xi, 0) \in \psi\left(\mathcal{M}^{-1}(\mathcal{K})\right) \text{ and } 1+\xi \in \left[\frac{1}{2}, g\right) \\ &\Leftrightarrow \mathcal{T}_g^n(1+\xi, 0) \in \mathcal{H}_{\mathcal{K}} \text{ and } 1+\xi \in \left[\frac{1}{2}, g\right), \end{aligned}$$

where we used that

$$\mathcal{T}(1+\xi, 0) = \left(\frac{-\xi}{1+\xi}, 1\right),$$

in case $1+\xi \in \left[\frac{1}{2}, g\right)$. Furthermore,

$$\begin{aligned} \xi \in \mathcal{V}_{\mathcal{K}} &\Leftrightarrow \mathcal{O}_{\text{ocf}}^n\left(\frac{-\xi}{1+\xi}, 1\right) \in \mathcal{M}^{-1}(\mathcal{K}) \text{ and } 1+\xi \in [g, 1) \\ &\Leftrightarrow \mathcal{T}_g^n(\xi, 0) \in \mathcal{H}_{\mathcal{K}} \text{ and } \xi \in [-g^2, 0), \end{aligned}$$

and

$$\xi \in \mathcal{W}_{\mathcal{K}} \Leftrightarrow \mathcal{T}_g^n(\xi, 0) \in \mathcal{H}_{\mathcal{K}} \text{ and } \xi \in \left[0, \frac{1}{2}\right).$$

Now the lemma follows from the above relations. □

Proof of Theorem 4.1. First note that due to the fact that the density function $(\log G)^{-1}(1+tv)^{-2}$ is invariant under \mathcal{M} , \mathcal{T}_{ocf} , \mathcal{T} and \mathcal{T}_g , one has

$$\bar{\mu}_{\text{ocf}}(\mathcal{K}) = \bar{\mu}_g(\mathcal{H}_{\mathcal{K}}).$$

Next, for $n \geq 1$ one has, due to Lemma 4.1,

$$\lambda(D_n(\mathcal{K})) - \bar{\mu}_{\text{ocf}}(\mathcal{K}) = \lambda(E_n(\mathcal{H}_{\mathcal{K}})) - \bar{\mu}_g(\mathcal{H}_{\mathcal{K}}),$$

where $E_n(\mathcal{H}_{\mathcal{K}})$ is defined as in Theorem 2.3, viz.

$$E_n(\mathcal{H}_{\mathcal{K}}) := \left\{ \xi \in [-g^2, g); \mathcal{T}_g^n(\xi, 0) \in \mathcal{H}_{\mathcal{K}} \right\}.$$

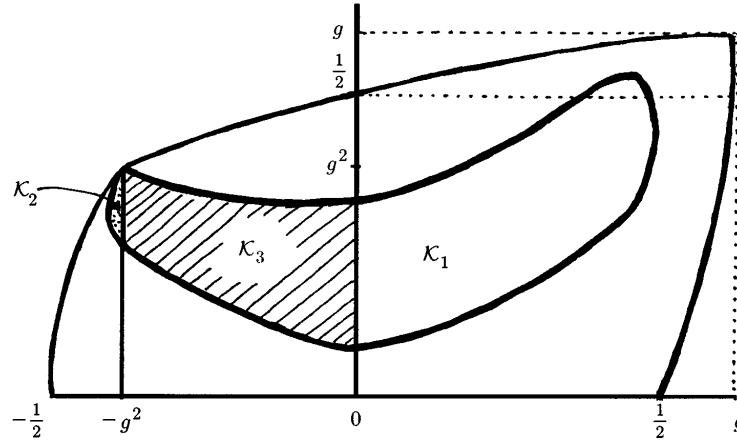


FIGURE 5

The theorem now follows from Theorem 2.3, as soon as we have established that $\mathcal{H}_{\mathcal{K}}$ is a finite union of simply connected subsets of Ω_g , each satisfying the conditions from Theorem 2.3.

Let G_1, \dots, G_4 be defined as in (17), and put

$$\mathcal{K}_1 := \mathcal{K} \cap G_1, \mathcal{K}_2 := \mathcal{K} \cap \mathcal{M}(G_2), \text{ and } \mathcal{K}_3 := \mathcal{K} \setminus (\mathcal{K}_1 \cup \mathcal{K}_2);$$

see Figure 5. From the definitions of \mathcal{M} and ψ it now follows that

$$\mathcal{M}^{-1}(\mathcal{K}_1) = \mathcal{K}_1, \mathcal{M}^{-1}(\mathcal{K}_2) \subset G_2 \text{ and } \mathcal{M}^{-1}(\mathcal{K}_3)$$

and

$$\psi(\mathcal{M}^{-1}(\mathcal{K}_1)) = \mathcal{K}_1, \psi(\mathcal{M}^{-1}(\mathcal{K}_2)) \subset G_3 \text{ and } \psi(\mathcal{M}^{-1}(\mathcal{K}_3)) = \mathcal{M}^{-1}(\mathcal{K}_3)$$

are simply connected subsets of Δ_{ocf} resp. Δ_g , all satisfying the conditions of Theorem 2.3. Putting (see also Figure 6)

$$\begin{aligned} \mathcal{H}_1^d &:= \mathcal{K}_1 \cap \Omega_g; & \mathcal{H}_1^u &:= \mathcal{K}_1 \setminus \mathcal{H}_1^d; \\ \mathcal{H}_2^d &:= \psi(\mathcal{M}^{-1}(\mathcal{K}_2)) \cap \Omega_g; & \mathcal{H}_2^u &:= \psi(\mathcal{M}^{-1}(\mathcal{K}_2)) \setminus \mathcal{H}_2^d \end{aligned}$$

and

$$\mathcal{H}_3 := \mathcal{M}^{-1}(\mathcal{K}_3),$$

it follows that

$$\mathcal{H}_{\mathcal{K}} = \mathcal{H}_1^d \cup \mathcal{M}(\mathcal{H}_1^u) \cup \mathcal{H}_2^d \cup \mathcal{M}(\mathcal{H}_2^u) \cup \mathcal{K}_3.$$

Thus it seems that $\mathcal{H}_{\mathcal{K}}$ is the union of at most five simply connected subsets of Ω_g (with disjoint interiors), each satisfying the conditions from Theorem 2.3. In fact, since $\mathcal{K} \cap \Omega_g = \mathcal{H}_1^d \cup \mathcal{K}_3$, we see that $\mathcal{H}_{\mathcal{K}}$ is the union of at most 4 of such subsets; see also Figure 7. This proves Theorem 4.1. \square

Let $z \in [-\frac{1}{2}, g)$, and choosing $\mathcal{K} = \mathcal{K}_z$ in Theorem 4.1, where

$$\mathcal{K}_z := \{(t, v) \in \Omega_{\text{ocf}} : t \leq z\}$$

at once yields (*) as a corollary.

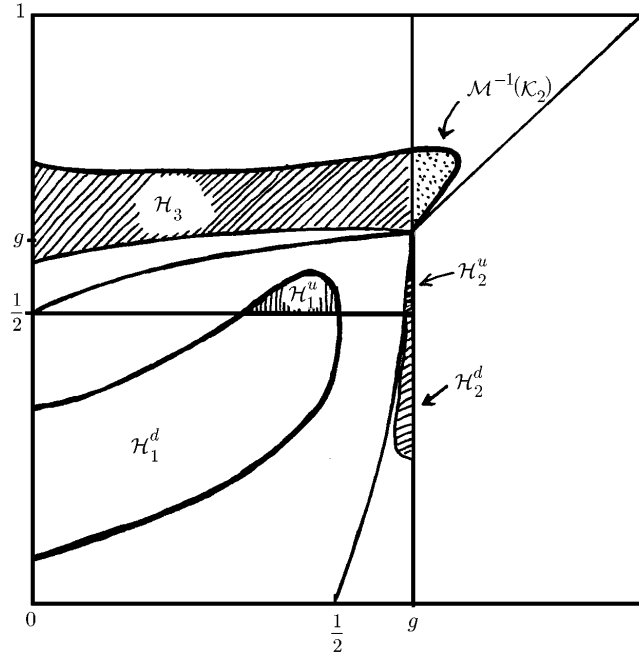


FIGURE 6

Corollary 4.1. For $z \in [-\frac{1}{2}, g]$ one has

$$\lambda\{\xi \in [-\frac{1}{2}, \frac{1}{2}) : T_{\text{ocf}}^n \xi \leq z\} = \mu_{\text{ocf}}([-\frac{1}{2}, z]) + \mathcal{O}(g^n),$$

where μ_{ocf} is a probability measure on $[-\frac{1}{2}, g)$ with density $d(x)$, given by (8).

Let $\xi \in [-\frac{1}{2}, \frac{1}{2})$ be an irrational number with OCF-expansion given by $[0; \varepsilon_1 a_1, \dots]$, sequence of OCF-convergents $(r_k/s_k)_{k \geq -1}$ and

$$(t_k, v_k) = \mathcal{T}_{\text{ocf}}^k(\xi, 0), \quad k \geq 0.$$

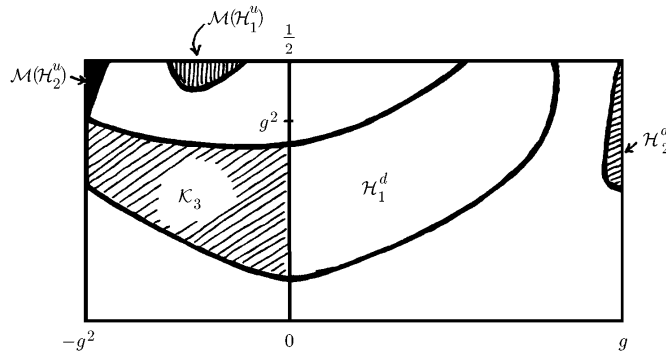


FIGURE 7

Then we define the *optimal approximation coefficients* $\theta_k = \theta_k(\xi)$ by

$$\theta_k(\xi) = s_k^2 \left| \xi - \frac{r_k}{s_k} \right|, \quad k \geq 1.$$

That these θ 's are indeed *optimal* in many respects was shown in [BK2].

From the definition of \mathcal{T}_{ocf} one easily finds, see e.g. [K1], that

$$(18) \quad \theta_{k-1} = \frac{v_n}{1 + t_k v_k} \quad \text{and} \quad \theta_k = \frac{\varepsilon_{k+1} t_n}{1 + t_k v_k}, \quad k \geq 2.$$

The following corollary is a consequence of (18) and Theorem 4.1.

Corollary 4.2. *Let $J_n(z) = \{\xi \in [-\frac{1}{2}, \frac{1}{2}] \setminus \mathbf{Q} : \theta_n \leq z\}$ for $0 \leq z \leq \frac{1}{2}$. Then*

$$\lambda(J_n(z)) = F_{\text{ocf}}(z) + \mathcal{O}(g^n),$$

where F_{ocf} is the distribution function given by

$$F_{\text{ocf}}(z) = \begin{cases} \frac{z}{\log G} & \text{for } 0 \leq z \leq \frac{1}{\sqrt{5}}, \\ \frac{1}{\log G} \left(\sqrt{1 - 4z^2} + \log \left(G \frac{1 - \sqrt{1 - 4z^2}}{2z} \right) \right) & \text{for } \frac{1}{\sqrt{5}} \leq z \leq \frac{1}{2}. \end{cases}$$

Final remarks. 1. Corollary 4.2 is the “counterpart” of Theorem 5.13 from [BK1], which states that for a.e. ξ and for every $z \in [0, \frac{1}{2}]$ the sequence $(\theta_k)_{k \geq 1}$ is distributed over $[0, \frac{1}{2}]$ according to the distribution function F_{ocf} , so for almost all ξ and for all z

$$\lim_{k \rightarrow \infty} \frac{1}{k} \#\{j; 1 \leq j \leq k \text{ and } \theta_j(\xi) \leq z\} = F_{\text{ocf}}(z);$$

see also Corollary 2.2. Similar counterparts for many more theorems, e.g. from [BK1], can easily be obtained in the same manner by choosing the sets \mathcal{K} appropriately.

2. As we mentioned before, all the result of this section can be obtained for any maximal singularization area S ; there is no need (except clarity of exposition?) to stick to S_{ocf} . For instance, replacing S_{ocf} by $S_{\frac{1}{2}}$ illuminates the relation between the Gauss-Kusmin theorems for the NICF and the SCF, as found by [Rie1]. That this close relation between NICF and SCF not only follows from Rieger’s result, but also from the way these continued fraction expansions are obtained via singularization, is illustrated by the following. The analog of Corollary 2.1 for the NICF is obtained by interchanging Γ_1 with Γ_{-1} , i.e., by reflecting them in the line $\alpha = \beta$. The analog of Corollary 2.2 for the NICF is completely identical to Corollary 2.2.

REFERENCES

- [Ba] Babenko, K. – *On a problem of Gauss*, Soviet Math. Dokl., **19** (1978), 136-140. MR **57**:12436
- [Bos] Bosma, W. – *Optimal Continued Fractions*, Indag. Math., **50** (1988), 353-379. MR **89b**:40001
- [BK1] Bosma, W., C. Kraaikamp – *Metrical Theory for Optimal Continued Fractions*, J. Number Th., **34** (1990), 251-270. MR **91d**:11095
- [BK2] Bosma, W., C. Kraaikamp – *Optimal approximation by optimal continued fractions*, J. Austr. Math. Soc. (Series A), **50** (1991), 481-504. MR **92f**:11093
- [BJW] Bosma, W., H. Jager and F. Wiedijk – *Some metrical observations on the approximation by continued fractions*, Indag. Math., **45** (1983), 281-299. MR **85f**:11059
- [DK] Dajani, K., C. Kraaikamp – *Generalization of a Theorem by Kusmin*, Monatsh. f. Math., **118** (1994), 55-73. MR **96e**:11102

- [G] Gauss, C.F. – *Mathematisches Tagebuch 1796-1814*, Ostwald's Klassiker der exakten Wissenschaften **256**, Geest und Portig, Leipzig, 1976.
- [Ios] Iosifescu, M. – *A very simple proof of a generalization of the Gauss-Kuzmin-Lévy theorem on continued fractions, and related questions*, Rev. Roumaine Math. Pures Appl., **37** (1992), 901-914. MR **94j**:40003 and –*On the Gauss-Kuzmin-Lévy theorem, I*, Rev. Roumaine Math. Pures Appl., **39** (1994), 97-117. MR **95j**:40002 –*On the Gauss-Kuzmin-Lévy theorem, II*, Rev. Roumaine Math. Pures Appl., **40** (1995), 91-105.
- [J] Jager, H. – *The distribution of certain sequences connected with the continued fraction*, Indag. Math., **48** (1986), 61-69. MR **87g**:11092
- [Ke] Keller, O.H. – *Eine Bemerkung zu den verschiedenen Möglichkeiten eine Zahl in einen Kettenbruch zu entwickeln*, Math. Ann., **116** (1939), 733-741.
- [Kn] Knuth, D.E. – *The Distribution of Continued Fraction Approximations*, J. Number Th., **19** (1984), 443- 448. MR **86d**:11058
- [K1] Kraaikamp, C. – *A new class of continued fraction expansions*, Acta Arith., t. **LVII**, 1991, 1-39. MR **92a**:11090
- [K2] Kraaikamp, C. – *Maximal S-expansions are Bernoulli shifts*, Bull. Soc. Math. France, **121**, 1993, 117-131. MR **94h**:11074
- [K3] Kraaikamp, C. – *Statistic and ergodic properties of Minkowski's diagonal continued fraction*, Theoret. Comput. Sc., **65**, 1989, 197-212. MR **90m**:11120
- [Kus] Kusmin, R.O. – *Sur un problème de Gauss*, Atti Congr. Bologna, **6** (1928), 83-89.
- [L] Lévy, P. – *Sur le loi de probabilité dont dependent les quotients complets et incomplets d'une fraction continue*, Bull. Soc. Math. de France, **57** (1929), 178-194.
- [Na] Nakada, H. – *Metrical theory for a class of continued fraction transformations and their natural extensions*, Tokyo J. of Math., **4** (1981), 399-426. MR **83k**:10095
- [Pe] Perron, O. – *Die Lehre von den Kettenbrüchen*, Chelsea, New York (1929).
- [Rie1] Rieger, G.J. – *Ein Gauss-Kusmin-Lévy-Satz für Kettenbrüche nach nächstem Ganzen*, Manuscripta Math., **24** (1978), 437-448. MR **58**:27875
- [Rie2] Rieger, G.J. – *Über die mittlere Schrittzahl bei Divisionsalgorithmen*, Math. Nachr., **82** (1978), 157-180. MR **58**:533
- [Roc] Rockett, Andrew M. – *The metrical theory of continued fractions to the nearer integer*, Acta Arith., **38** (1980), 97-103. MR **82d**:10074
- [Sch1] Schweiger, F. – *Metrische Theorie einer Klasse zahlentheoretischer Transformationen*, Acta Arith., **15** (1968), 1-18. MR **40**:7219 and –*Metrische Theorie einer Klasse zahlentheoretischer Transformationen*, Acta Arith., **16** (1968), 217-219. MR **40**:7220
- [Sch2] Schweiger, F. – *Ergodic Properties of Fibered Systems and Metric Number Theory*, Clarendon Press, Oxford, 1995.
- [Se] Selenius, C. – *Konstruktion und Theorie halbreghelmässiger Kettenbrüche mit idealer relativer Approximation*, Acta Acad. Aboensis Math. et Phys., **XXII.2** (1960), 1-75. MR **27**:4796
- [Sz] Szüsz, P. – *Über einen Kusminschen Satz*, Acta Math. Acad. Sci. Hung. **12** (1961), 447-453. MR **27**:124
- [Wir] Wirsing, E. – *On the theorem of Gauss-Kuzmin-Lévy and a Frobenius-type theorem for function spaces*, Acta Arith., **24** (1974), 507-528. MR **49**:2637

FACULTEIT WISKUNDE EN INFORMATICA, BUDAPESTLAAN 6, P.O. Box 80.010, 3508TA UTRECHT, THE NETHERLANDS

E-mail address: dajani@math.ruu.nl

TECHNISCHE UNIVERSITEIT DELFT AND THOMAS STIELTJES INSTITUTE FOR MATHEMATICS, FAC. ITS (SSOR), MEKELWEG 4, 2628 CD DELFT, THE NETHERLANDS

E-mail address: c.kraaikamp@its.tudelft.nl